

FUTURA 9 AIR STOVE – TECHNICAL DATA



Wood pellet stove for space heat only

Average Thermal Heat Input (Min - Max):	3.90 - 9.60kW
Performance Efficiency (Min - Max):	94.20 - 95%
Nominal Overall Power Yield (Min - Max):	3.70 - 9.0kW
Approx. Heating Capacity - Poor Insulation:	60m ³ - 140m ³
Approx. Heating Capacity - Good Insulation:	180m ³ - 430m ³
Pellet Consumption (Min - Max):	0.8 - 1.99kg/hr
Pellet Tank Capacity:	16kg
Approx. burn time (Min - Max):	8 - 20hrs
Flue Outlet Diameter:	80mm
Electrical Requirement (Normal):	48W
Electrical Requirement (Starting):	300W
Net Weight:	100kg
Approx. dimensions (H x W x D):	940 x 475 x 490 mm



NB: Specifications & products are indicative only, may differ from those shown and may change at any time & without notice. E & OE.



Available in a selection of colours: black, red & white

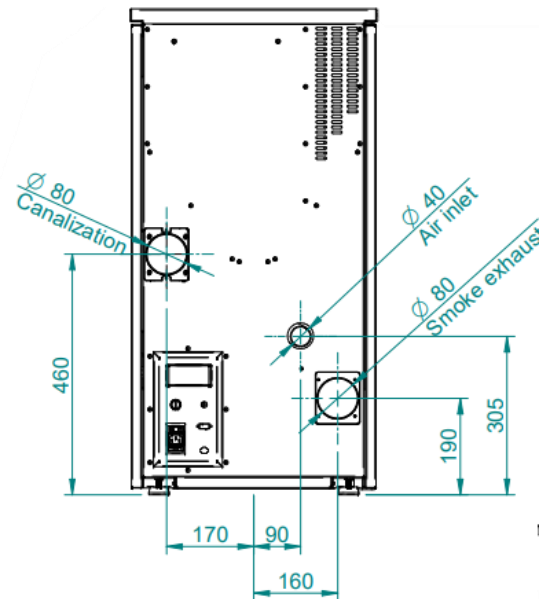


Wi-Fi



PDA

- ✓ Double door
- ✓ Exceptionally low noise levels
- ✓ Highly efficient at 95%
- ✓ Personal Digital Assistant
- ✓ Anti-explosion



Your trusted local dealer



Swiss Cantonal Association for Fire Safety



Conformity Label



Precisely Right



Scandinavian Independent Research Body



German Organisation for the Development of Biomass

EN 14785

European Standard for Heating Appliances

15a B-VG

Certification for Protection & Safety Regulations



Sustainable Energy Authority of Ireland

